

**SIRUBA**<sup>®</sup>  
HOUSEHOLD SEWING MACHINE

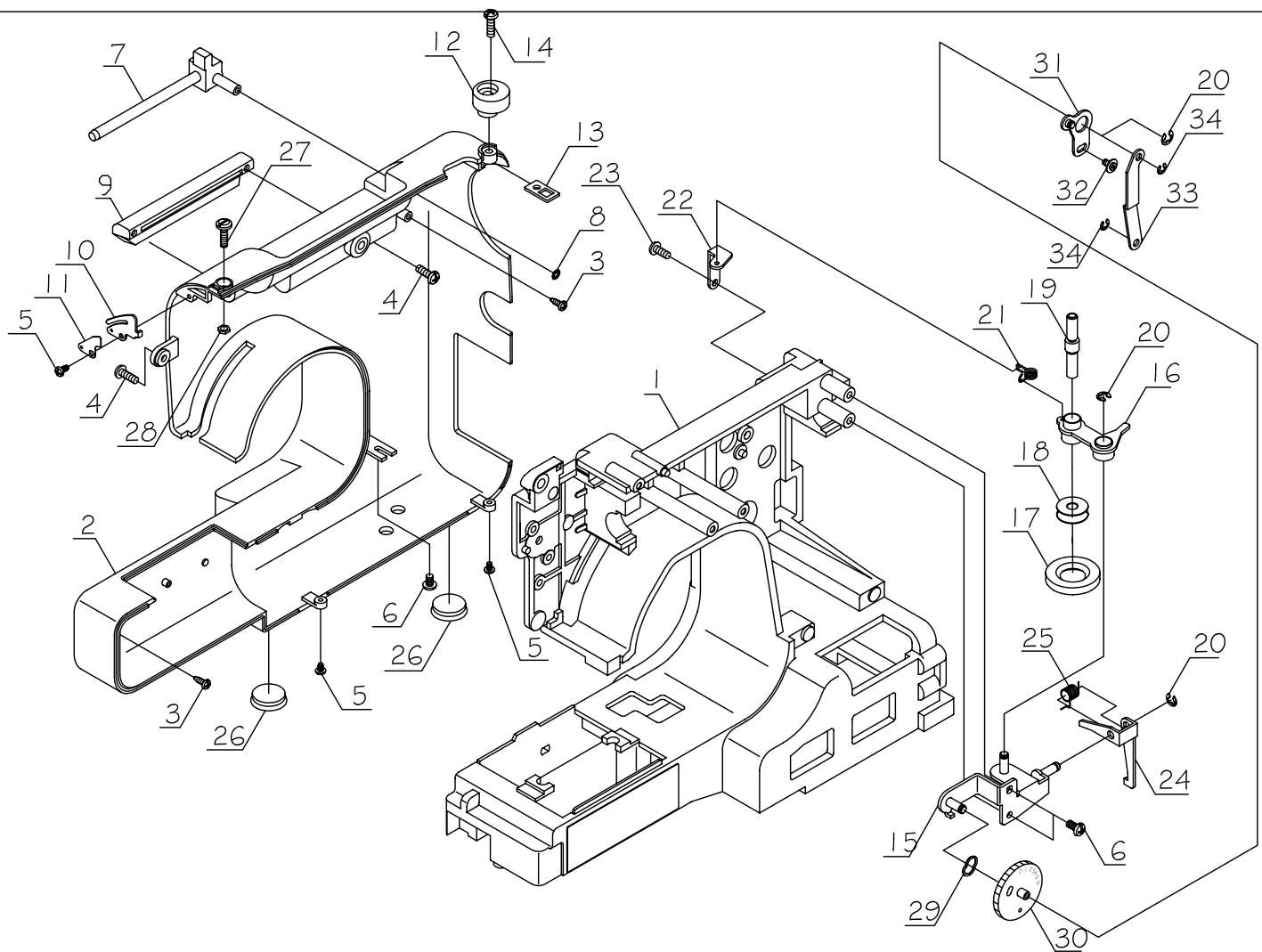
# HSM-2517

零件圖  
PARTS LIST

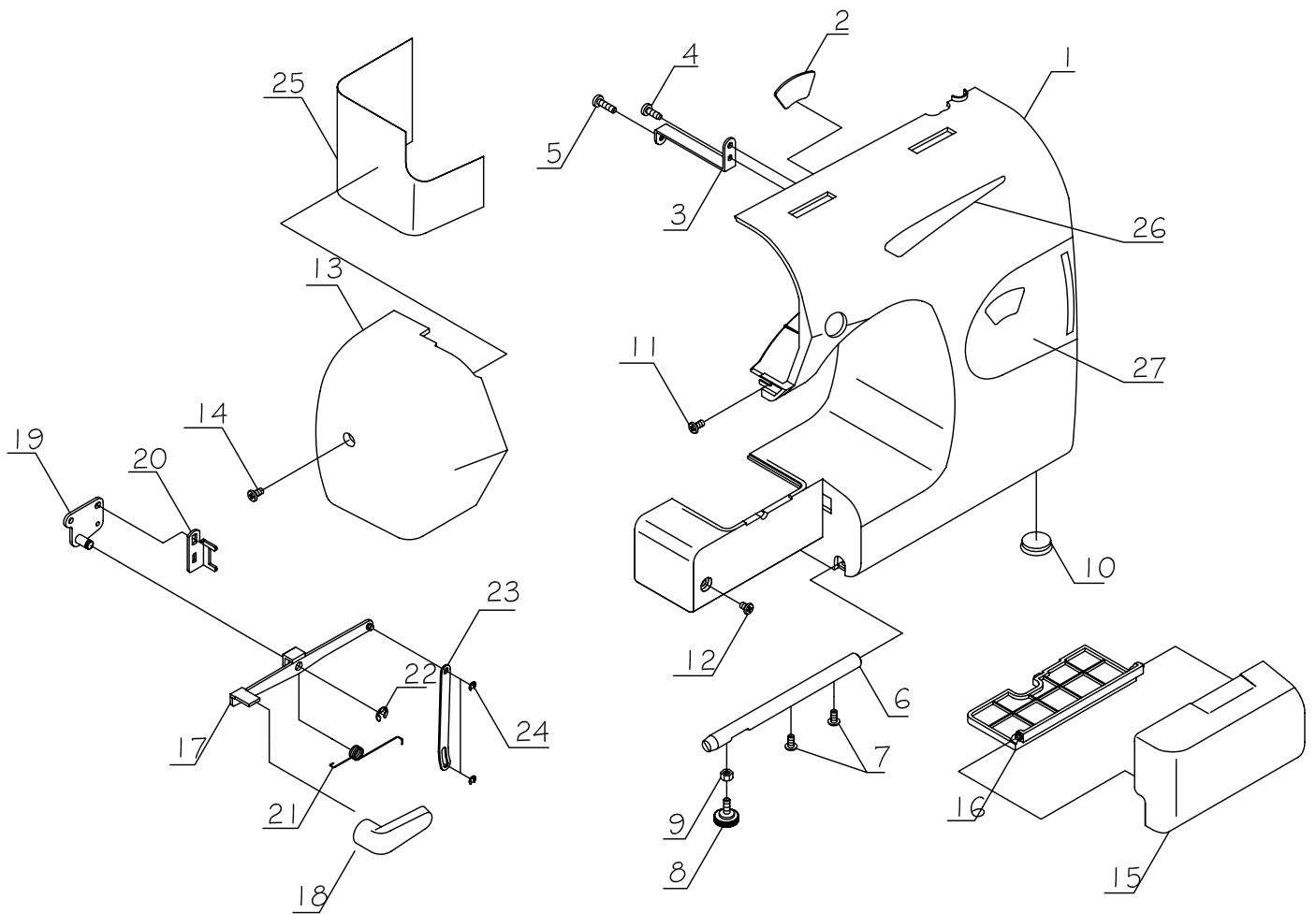


CE

 **高林股份有限公司**  
KAULIN MFG. CO., LTD.



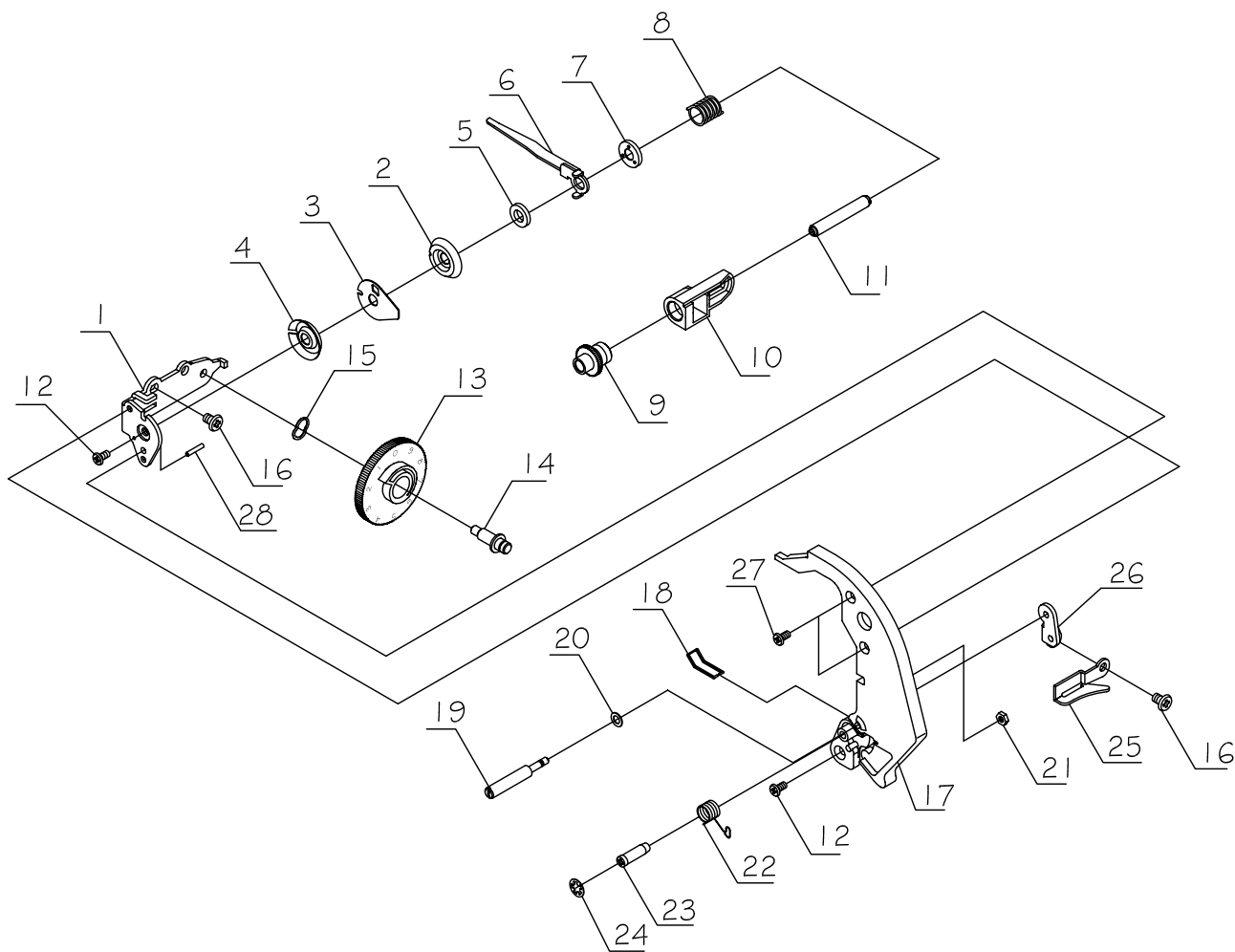
Key	Parts No	Name of Parts	Key	Parts No	Name of Parts
1	168001	Arm	30	168090	Zigzag regulate dial
2	168202	Back cover	31	730181	Zigzag regulate crank
3	000087300	†-pan head T screw 3X12	32	000082408	†-binding head screw 3X6
4	000081603	†-binding head screw 4X12	33	730183	Zigzag regulate rod
5	000087908	T screw 3X8	34	000001104	Snap ring E-3
6	000081407	†-binding head screw 4X8			
7	168070	Spool pin			
8	000002208	Snap ring CS-6			
9	168225	Handle			
10	168211	Threading guide (A)			
11	168212	Threading guide shrapnel			
12	321143000	Bobbin winder stopper			
13	168068	Front cover bracket			
14	000081706	†-binding head screw 4X14			
15	168088	Bobbin winder crank base			
16	168054	Bobbin winder crank			
17	266033008	Bobbin winder fell			
18	266032007	Bobbin winder shaft ring			
19	730028	Bobbin winder shaft			
20	000001207	Snap ring E-4			
21	360046003	Bobbin winder crank spring			
22	168075	Bobbin winder spring holder			
23	000081500	†-binding head screw 4X10			
24	168055	Clutch rod			
25	168056	Clutch rod spring			
26	266020006	Rubber cushion			
27	168502	Bobbin winder regulate lead shaft			
28	000010003	Rapid nut M4*0.7			
29	868234	Corrugated washer 9			



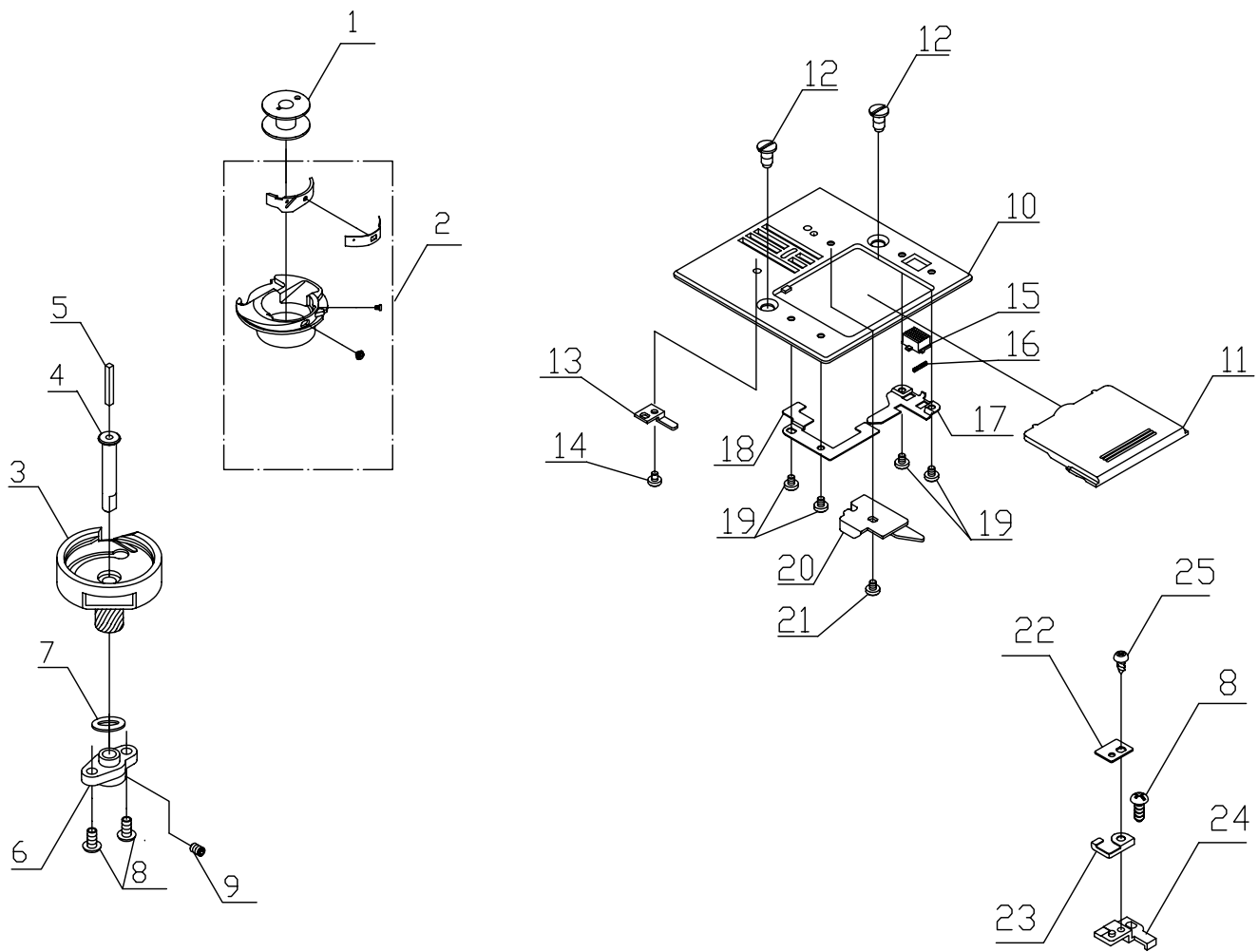
Key	Parts No	Name of Parts	Key	Parts No	Name of Parts
1	168203	Face cover			
2	730301	Model Show Window			
3	168080	Front cover bracket			
4	000087300	†—Pan head T screw 3X12			
5	000081706	†—pinding head screw 4X14			
6	168071	Detachable foot			
7	000081407	†—pinding head screw 4X8			
8	843024	Regulate screw			
9	000010003	Rapid nut M4*0.7			
10	266020006	Rubber cushion			
11	000082408	†—pinding head screw 3X6			
12	000081304	†—pinding head screw 4X6			
13	168201	Face plats			
14	000081418	†—pinding head screw 4X8(cr)			
15	168205	DETACHABLE CASE COMPLETE			
16					
17	168048	Reverse feed crank			
18	Y-168011001	Reverse feed dial			
19	168047	Reverse feed crank base			
20	168050	Reverse feed crank stop shrapnel			
21	Y-168021	Reverse feed crank spring			
22	000001300	Snap ring E-5			
23	168049	Reverse feed rod			
24	000001104	Snap ring E-3			
25	168083	Face plate heat isolation			
26	168206	Daniel (small)			
27	168208	Daniel (large)			



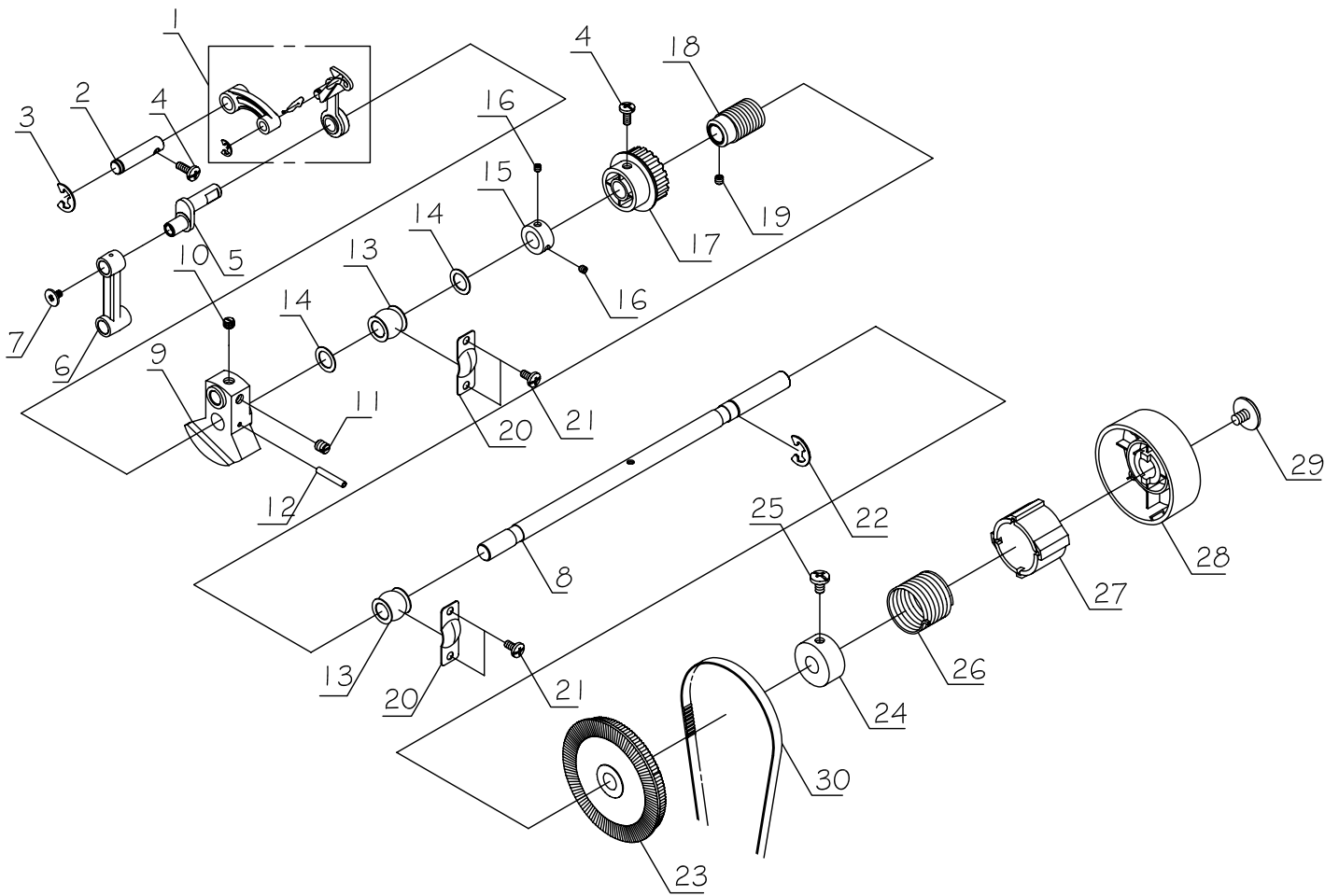




Key	Parts No	Name of Parts	Key	Parts No	Name of Parts
1	730022	Thread tension regulate plate			
2	868060	Thread tension regulate flat (Right)			
3	868059	Middle plate			
4	868060	Thread tension regulate flat (Left)			
5	868138	Plain washer 5.6X15X1			
6	730110	Thread tension connecting plate			
7	868113	Spring set position plate			
8	868115	Thread tension regulate spring			
9	868118	Elastic regulator			
10	730023	Thread tension regulate plate			
11	868116	Thread tension regulator base shaft			
12	000082408	+-binding head screw 3X6			
13	868114037	Thread tension regulate dial			
14	730197	Thread tension regulate shaft			
15	868234	Corrugated washer 9 m/m			
16	000081304	+-binding head screw 4X6			
17	168204	Threading guide			
18	168066	Threading guide spring			
19	730019	Threading guide shaft			
20	000012200	Plain washer 4X7X0.4			
21	000071002	Hexagon nut 3-3-5.5			
22	730105	thread take-up spring			
23	262026000	Spring set shaft			
24	000002404	Snap ring CS-4.5			
25	730020	threading guide shrapnel (B)			
26	730009	Front cover set plate			
27	000084709	+-Pan head screw 3X6			
28	000007008	Spring pin 1.6X10			



Key	Parts No	Name of Parts	Key	Parts No	Name of Parts
1	218023	Bobbin			
2	128130	Bobbin case complete			
3	128129	Hook race			
4	730143	Hook race shaft			
5	730 168	Oil core			
6	730141	Hook race set body			
7	000013017	Thrust washer screw 6.2*9.5*0.13			
8	000084400	+pan head screw 4*8			
9	000079206	Hexagon socket screw 4*6			
10	296101	Needle plate			
11	760003	Slide plate			
12	266017000	Flat head set screw			
13	296103	Bobbin case thread stopper			
14	730174	Set screw (Bobbin case stop plate)			
15	760005	Slide plate spring			
16	760004	Switch			
17	760001	Slide plate shrapnel(r)			
18	760002	Slide plate shrapnel(L)			
19	730 175	Set screw (slide shrapnel)			
20	730151	Bobbin case stop plate			
21	730174	Set screw (Bobbin case stop plate)			
22	168108	Stop shrapnel holder			
23	730152	Bobbin case stop shrapnel			
24	296105	Stop shrapnel base			
25	730 176	T screw 2.6X6			

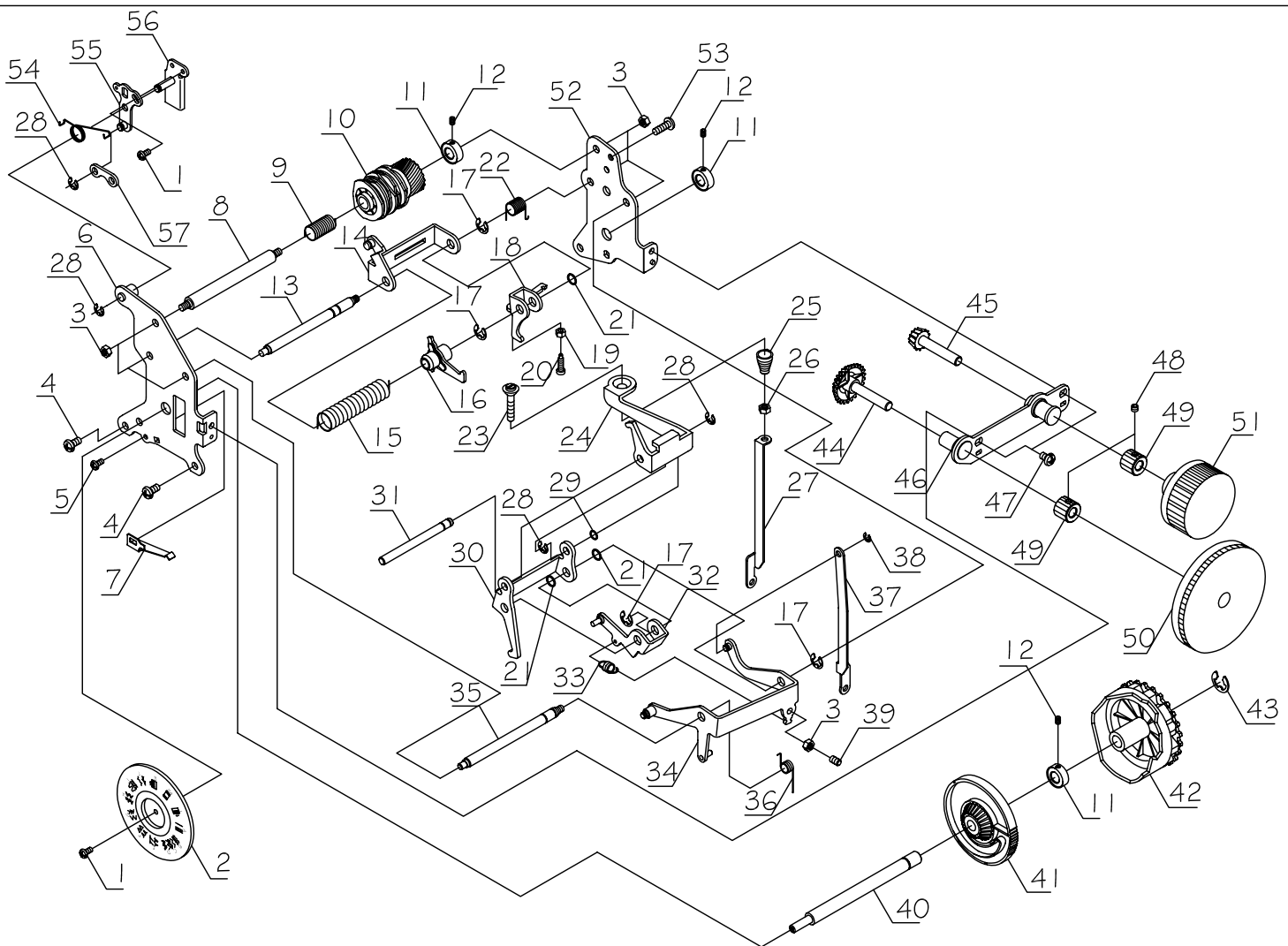


Key	Parts No	Name of Parts	Key	Parts No	Name of Parts
1			30	000093011	Motor belt (460-2GT)
2					
3					
4	168503	THREAD TAKE-UP COMPLETE			
5					
6					
7					
8	168008	Upper shaft			
9	168009	Thread take-up crank			
10	101040008	Set screw SM15/64-28X6.5			
11	574057006	Set screw SM15/64-28X4			
12	000006408	Spring pin 3X20			
13	268007209	Upper shaft bushing			
14	000013305	Thrust washer 10.2X15X0.5			
15	620060008	Upper shaft ring			
16	000079608	Hexagon socket screw 1/64*4			
17	168010	Timing gear A			
18	268004212	Upper shaft worm			
19	000079103	Hexagon socket screw 4X4			
20	268005220	Bushing plate			
21	000081407	Binding head screw 4X8			
22	000001609	Span ring E-9			
23	168011	Timing pulley			
24	168012	Clutch bushing			
25	000079309	Hexagon socket screw 5X5			
26	868031	Clutch spring			
27	868030	Clutch			
28	168013	Hand wheel			
29	868024	Stop motion large screw			









Key	Parts No	Name of Parts	Key	Parts No	Name of Parts
1	000082408	† binding head screw 3X6	30	168031	SS selector crank
2	168095	Pattern indicator	31	168036	SS crank shaft
3	000071105	Hexagon nut 4-3-7	32	168046	BH crank
4	000081407	† binding head screw 4X8	33	730056	Feed connecting crank spring
5	000082305	† binding head screw 3X5	34	168037	Feed regulate crank
6	168089	Base (bornt)	35	168079	Feed regulate crank shaft
7	168020	feed regulate cam	36	168035	SS crank spring
8	168022	Pattern cam shaft	37	168039	Feed regulate rod
9	730040	Pattern cam spring	38	000001104	Snap ring E-3
10	168091	pattern cam	39	000077008	Set screw 4X8
11	268005417	Pattern cam shaft ring	40	168101	Pattern selector cam shaft
12	000079000	Hexagon socket screw 3X4	41	168024	Feed regulate cam
13	168038	Claw shaft	42	168092	Pattern selector cam
14	168028	Claw support bracket	43	000001505	Snap ring E-7
15	168030	Claw spring	44	168044	Feed dial gear
16	168029	Claw	45	168043	Pattern selector dial gear
17	000001300	Snap ring	46	168042	Detachable base
18	168026	Control crank	47	000081304	† binding head screw 4X6
19	000071002	Hexagon nut 3-3-0.5	48	000079505	Hexagon socket screw 4X3
20	986129	Regulate screw	49	268007613	Stitch length ring
21	281040009	Plain washer 5.1X7.3X0.5	50	168209	Pattern regulator dial
22	168027	Control spring	51	168073	Pattern selector dial
23	168033	SSregulate screw	52	168041	Base (back)
24	168032	SSclaw	53	000081603	† binding head screw 4X12
25	268006414	BH feed spring	54	168098	Zigzag regulator spring
26	000010003	Rapid nut M4*0.7	55	168085	Zigzag crank
27	168040	SS rod	56	168087	Zigzag regulator
28	000001207	Snap ring E-4	57	168086	Zigzag crank rod
29	266011004	Plain washer 5.1X10X0.5			







# HSM-2517

高林股份有限公司 KAULIN MFG. CO., LTD.

The specification and/or appearances of the equipment described in this instruction book are subject to change because of modification without previous notice.